

**WOODMAN ARMS**

*Patriot*

MUZZLE LOADING RIFLE

**OWNERS MANUAL**



**READ AND FULLY UNDERSTAND THE WARNINGS  
AND DIRECTIONS IN THIS MANUAL BEFORE  
ATTEMPTING TO USE YOUR MUZZLELOADING RIFLE.**

**Woodman Arms**

79 Beede Hill Rd

Fremont NH, 03044

603-895-4018

**WWW.WOODMANARMS.COM**

## **WARNING !**

**READ AND FULLY UNDERSTAND THE WARNINGS  
AND DIRECTIONS IN THIS MANUAL BEFORE  
ATTEMPTING TO USE YOUR MUZZLELOADING RIFLE.**

This safety manual must always accompany the firearm  
and be transferred with it upon change of ownership.

This manual is available FREE upon request from

Woodman Arms  
79 Beede Hill Rd.  
Fremont NH, 03044  
603-895-4018

It is also available on-line to download and/or print at  
[WWW.WOODMANARMS.COM](http://WWW.WOODMANARMS.COM)

### **WARNING!**

**DO NOT MODIFY YOUR FIREARM.  
THE PATRIOT FIREARM IS DESIGNED FOR  
USE WITH BLACK POWDER AND  
BLACK POWDER SUBSTITUTES. THE ACTION IS  
NOT DESIGNED TO HANDLE RIFLE  
CARTRIDGES.**

**DO NOT USE SMOKELESS POWDER IN YOUR  
FIREARM. SERIOUS INJURY OR DEATH MAY  
RESULT.**

## **WARNING !**

**YOU MUST FOLLOW ALL OF THESE SAFETY RULES TO  
ENSURE THE SAFE USE OF YOUR FIREARM.  
FAILURE TO FOLLOW THE WARNINGS IN THIS MANUAL  
COULD CAUSE SERIOUS INJURY OR DEATH TO YOU  
OR OTHERS AND DAMAGE TO PROPERTY.**

## **SAFETY IS YOUR NUMBER ONE PRIORITY.**

ANYWHERE YOU USE YOUR FIREARM, SAFETY SHOULD  
BE YOUR FIRST CONCERN. APPLY THE RULES IN THIS  
MANUAL AT ALL TIMES. IF YOU FEEL UNSURE ABOUT  
THE USE AND OPERATION OF YOUR FIREARM AT ANY  
TIME, PLEASE CONTACT WOODMAN ARMS BEFORE  
OPERATING YOUR FIREARM.

## **SAFETY RESPONSIBILITIES**

---

ALWAYS KEEP YOUR FIREARM POINTED IN A SAFE DIRECTION. Never point a firearm at anyone or anything you do not intend to shoot whether or not it is loaded.

ALWAYS TREAT EVERY FIREARM AS IF IT IS LOADED AND WILL FIRE. Never take anyones word that the firearm is unloaded. Never pass a loaded firearm to another person. keep your firearm unloaded and safely stored when not in use.

NEVER PLACE YOUR FINGER INSIDE THE TRIGGER GUARD OR ON THE TRIGGER UNLESS YOU INTEND TO FIRE. Always be sure the safety is on unless you intend to fire. Never rely on the firearms safety alone.

NEVER JUMP OR CROSS OBSTACLES WITH A LOADED FIREARM. Be certain the primer is removed before jumping a stream, crossing a fence or climbing a tree. Never pull your firearm up to a tree stand loaded.

BE SURE OF YOUR TARGET AND WHAT IS BEYOND IT. Always be sure of where the bullet will strike. Be sure there is a safe backstop with no water or other surfaces that can cause ricochets. Bullets can bounce off many surfaces and travel in unpredictable directions. Do not randomly fire into the sky.

ALWAYS WEAR EYE PROTECTION DESIGNED FOR USE WITH YOUR FIREARM. Wear eye protection during cleaning and maintenance of your firearm.

NEVER USE ALCOHOL OR DRUGS BEFORE OR WHILE USING YOUR FIREARM. Do not use your firearm if you are on medications which impairs your mental or physical abilities.

## **SAFETY RESPONSIBILITIES**

---

ALWAYS WEAR EAR PROTECTION THAT IS DESIGNED FOR USE WITH YOUR FIREARM WHEN DISCHARGING THE FIREARM. Be certain others in the vicinity use ear protection as well.

USE YOUR FIREARM FOR APPROPRIATE AND LEGAL PURPOSES. For example target shooting and hunting. It is your responsibility to obey all laws and ordinances regarding the use of your firearm.

SAFE FIREARM HANDLING IS YOUR RESPONSIBILITY AT ALL TIMES. Firearms are dangerous and can cause injury or death if misused. Safety must be top priority of anyone who owns or handles the firearm. Accidents are the result of violating the rules of safe firearm handling.

YOU ARE RESPONSIBLE FOR THE FIREARM. You must secure the firearm safely from children and unauthorized users. Your firearm should always be kept unloaded and locked when not in use.

ALWAYS HAVE ADEQUATE VENTILATION. Discharging firearms in poorly ventilated areas, cleaning firearms, or handling ammunition may result in the exposure to lead and other substances known to cause birth defects, reproductive harm and other serious injury. Review the warning labels for all ammunition and cleaning products. Wash hands after exposure.

## **SAFETY RESPONSIBILITIES**

ALWAYS USE THE CORRECT BULLET AND POWDER FOR YOUR FIREARM. Never use smokeless powder.

BEWARE OF BARREL OBSTRUCTIONS. Be sure the barrel is clear of obstructions before shooting. Be sure the bullet is firmly seated against the powder charge. Use your ramrod to check for obstructions but only doing so with no primer inserted in the breech plug.

NEVER DISASSEMBLE YOUR FIREARM. Do not disassemble your firearm beyond the procedures in this manual. Doing so may be dangerous and can lead to serious injury or death. Any alteration or replacement of parts must be performed only by a qualified gunsmith.

DO NOT MODIFY OR ALTER ANY COMPONENTS OF YOUR FIREARM. Only a qualified gunsmith should perform modifications or adjustments to your firearm. Doing otherwise may cause improper function of your firearm resulting in serious injury or death to yourself or others.

NEVER TRANSPORT OR STORE YOUR FIREARM LOADED. Loaded means having a bullet seated on a powder charge and a primer inserted in the breech plug. Having a bullet seated on a powder charge with no primer inserted is the only way your firearm should be stored or transported.

## **FEATURES**

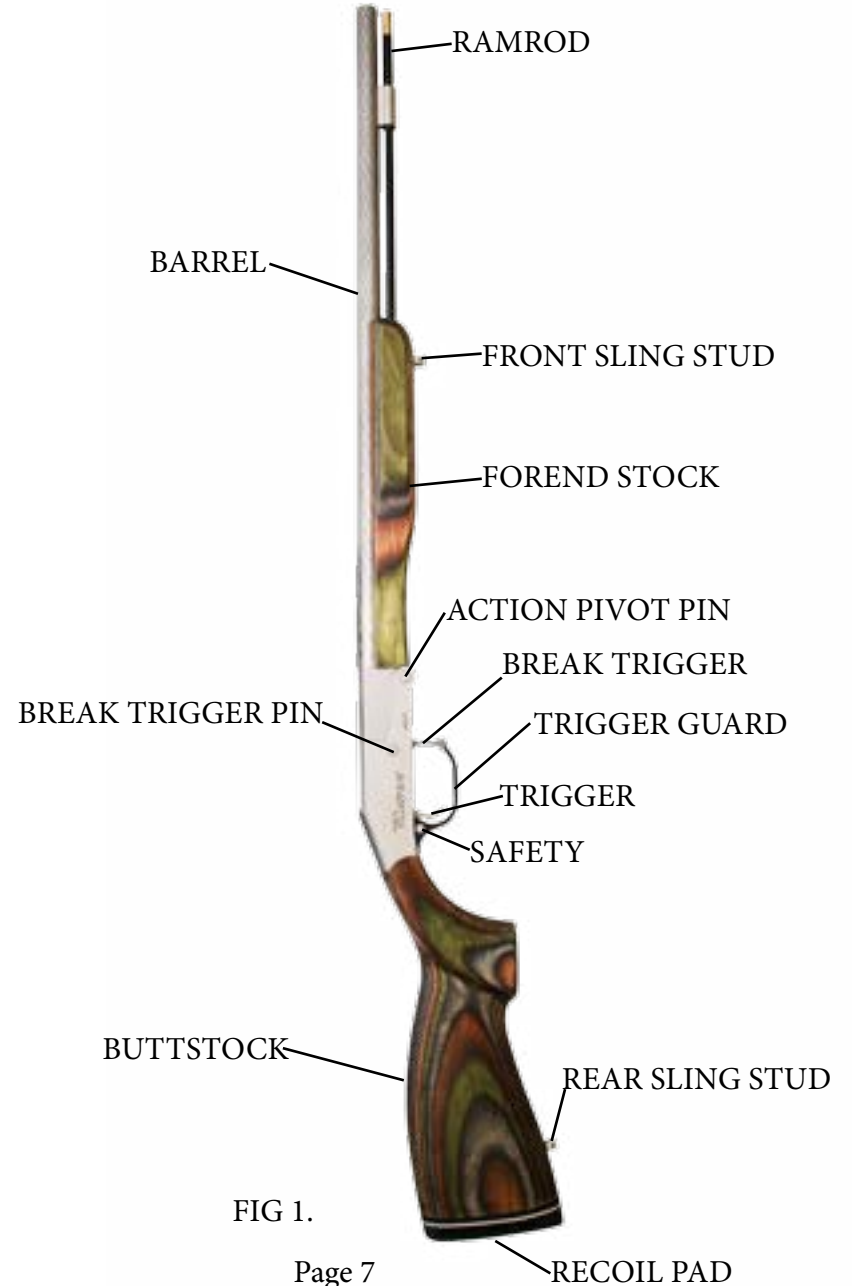


FIG 1.

## OPERATING THE ACTION

---

FIG 2.



The Pat. Pending BREAK trigger has 3 functions:

1. Trigger guard.
2. Opens the action.
3. Cocks the hammer.

The *PATRIOT* action design allows the hammer to remain cocked. The hammer is internal and does not get cocked when you are ready to fire. During normal operation, simply press the safety off and fire. There are two indicators of the hammer being cocked.

1. The break trigger will be locked, you cannot pull it back.
2. The cocked indicator line will be visible. FIG 3.

After firing the rifle the break trigger will unlock. This allows the action to be opened. When pulling the break trigger to open the action the hammer will be put back to the cocked position. Always make sure the safety is in the safe position when re-cocking. You must firmly pull the break trigger all the way back. A click will be felt and/or heard. The cocked indicator line will be visible when cocked. When the action is closed the break trigger will snap forward and become locked (only when the hammer is cocked).

Opening a locked action - With the safety in safe position and

## OPERATING THE ACTION

---

UNLOCK BUTTON



FIG 3.

muzzle pointed in a safe direction, depress the unlock button. FIG 3. While holding the unlock button, pull the break trigger. Once the break trigger begins to move rearward the unlock button can be released. With the break trigger pulled rearward, open the action. The hammer will remain cocked. Use the same sequence to open the action for inserting and removing primers.

Closing the action - Gently snap the action closed. Be sure the hammer is cocked prior to closing the action. It is not recommended or beneficial to slam the action shut. The break trigger must move all the way forward when closed as shown in FIG 2. If the action is closed too gently the break trigger may not completely move forward. It is important that the break trigger moves to the locked position. The rifle may not fire if the break trigger is not in the locked position.

**ALWAYS BE SURE THE SAFETY IS ON WHEN OPENING AND CLOSING THE ACTION AND THE MUZZLE IS POINTED IN A SAFE DIRECTION.**

## LOADING YOUR MUZZLELOADER

---

Your Patriot rifle will shoot any conical bullet, sabot rifle/pistol bullets, power belt, patch and round ball etc. We recommend a high quality polymer tip sabot. The polymer tip prevents the bullet from being damaged during loading. This is very important for accuracy. DO NOT USE “smokeless” powders in your *PATRIOT* rifle.

When loading a clean barrel, lube the barrel to ease loading.

We highly recommend Blackhorn 209 powder, very consistent results have been achieved. Regardless of what powder you choose, you must measure the powder. DO NOT GUESS OR ESTIMATE. The maximum load for .50 cal rifles is 150 grains by volume and .45 cal 150 grains by volume.

Make sure the rifle is not already loaded when loading a charge. Double loading can act like an obstruction causing serious injury or death to you or others. Be sure the safety is on and there is no primer in the rifle. Slide the ramrod in the barrel, the ramrod will drop completely in the barrel if no charge and/or projectile is present. Place the buttstock on the ground or secure surface. Pour the premeasured charge in the barrel. Push the bullet with your thumb into barrel. Use the ramrod to continue to push the bullet down to the powder charge. Be sure to use the correct end of the ramrod to prevent bullet damage, the ramrod has a tip designed to prevent bullet damage. The ramrod should come to a sudden stop when the bullet seats on the powder charge. Do not continue beating in the bullet. It is good practice to mark the ramrod flush with the end of the barrel for an indicator that the bullet is seated.

## FIRING YOUR MUZZLELOADER

---

Always make sure the safety is on and the muzzle is pointed in a safe direction!

Your rifle will need a bullet seated on the powder charge and a primer in the primer pocket. Patriot rifles are inline and use 209 shotgun primers. FIG 4.

Open the action as instructed in this manual (see page 8). It is good practice to pull the break trigger back firmly to ensure that the hammer will be cocked whenever opening the action. The cocked indicator must be visible, and the break trigger must be locked in order to fire.

Place a primer in the primer pocket. Close the action. Your rifle is now loaded and ready to fire.

Select your target, push safety to the off position, while continuing to aim, slowly squeeze the trigger.

After firing, open the action by firmly pulling the break trigger until you hear/feel the click, break the action and remove the primer. The hammer should now be cocked, this can be verified by the cocked indicator.

In the event of a misfire continue aiming in a safe direction for one minute. Carefully open the action and remove the primer.

Causes of misfires...

1. Clogged breech plug hole.
2. Wet powder charge.
3. Faulty primer.
4. No powder charge in barrel.
5. No primer inserted.

Carefully remove the breech plug (see REMOVING BREECH PLUG). The barrel can now be cleaned. If a bullet is in the barrel,

## REMOVING THE BREECH PLUG

---

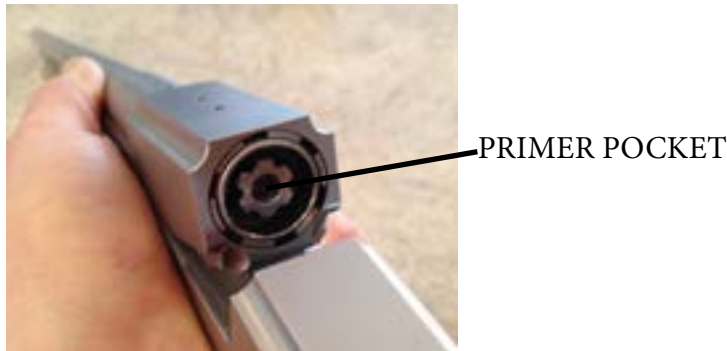


FIG 4.

Your *PATR107* rifle comes with two tools for removing the breech plug FIG 5. The socket is installed on the breech plug. The wrench is then installed on the socket. Turn wrench counter clockwise to unscrew the breech plug.

When installing the breech plug it is very important to apply anti-seize grease on the threads. Hand tighten the breech plug only with the wrench supplied. Do not over tighten as damage can result.



FIG 5.

## DISASSEMBLY & REASSEMBLY

---

### WARNING !

ALWAYS BE SURE THE RIFLE IS NOT LOADED PRIOR TO DISASSEMBLY.

The best method for removing a charge is safely discharging the firearm.

Remove the action pivot pin FIG 6. This can be done with ease using the threaded end of the ramrod to push the pin through. Always support the opposite side of the frame from the side you are pushing the pin. This will prevent the pin from binding. The action must be open to remove the pin. Only use brass, wood or plastic to push the pin through. Hard metals may ding or scratch the components.

Once the pin has been removed you must guide the stop pin through the slot to separate the barrel from the frame. FIG 7. shows the slot and stop pin.

With the firearm now in two pieces the breech plug can easily be removed.

The breech plug can also be removed with the rifle assembled. You must loosen it with the wrench, remove the wrench, unscrew it several turns, remove the socket and continue to unscrew until it comes out.



FIG 6.

## DISASSEMBLY & REASSEMBLY

---

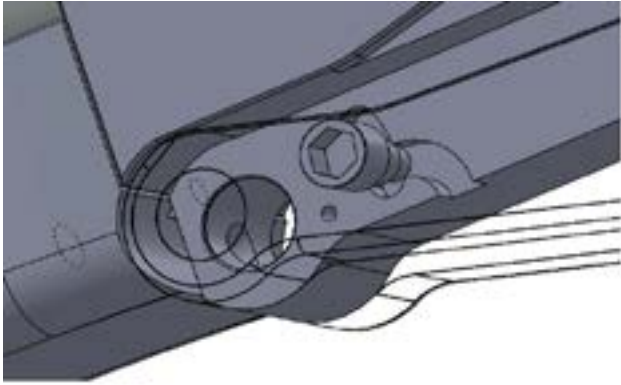


FIG 7.

When installing breech plug always apply anti-sieze greese to the threads.

Before assembling the rifle apply a light coat of high quality gun oil to the pivot pin and lockup mating surface. FIG 8.

The rifle is assembled by placing the two sections together with the stop pin in the slot. FIG 7. Do not close the action without the pivot pin. The action must be open to insert the pivot pin. Insert the piv-ot pin until the ends are flush with the frame.



LOCKUP SURFACE

FIG 8.

## CLEANING YOUR MUZZLELOADER

---

### WARNING !

**ALWAYS BE SURE THE RIFLE IS NOT LOADED PRIOR TO CLEANING.**

Powder residue is corrosive. Leaving the rifle uncleaned can cause corrosion which will cause loss of accuracy and damage the barrel. By maintaining and cleaning your rifle it will last indefinitely.

Follow the steps in the disassembly section of this manual to break down the rifle for cleaning.

Be sure the ramrod is free of dirt and debris.

With the breech plug removed cleaning patches can be run through the barrel using the ramrod.

Use the powder manufacturers recommended cleaning agent/sol-vent for removing powder residue.

NEVER use a wire brush other than brass.

NEVER run anything abrasive through the barrel.

NEVER put aluminum or fiberglass ramrods in the barrel.

Doing so can damage the barrel and/or cause a loss of accuracy.

Use the ram



---

## SIGHTS

*PATRIOT* rifles can be setup with rifle sights or a scope. Only one or the other can be used as the mounting holes are used by both. The scope base is a picatinny style mount. Typically offset rings will be needed to set the scope back for the correct eye relief.

Rifle sights consist of a front fiber optic bead and an adjustable rear sight with either a V notch open sight or peep sight. Sights are permanently assembled, switching between V notch or peep will require a new rear sight assembly.



## FACTORY TRIGGER.

Your trigger has been set at the factory to approximately 3-3.5 LBS of pull. **DO NOT MAKE ADJUSTMENTS TO YOUR TRIGGER OR SPRINGS. AN IMPROPERLY ADJUSTED TRIGGER CAN BE A SAFETY HAZARD.** Random discharge can occur with improper trigger adjustments. The trigger and sear have adjustment screws. These have been set at factory with thread locking compound. **DO NOT ATTEMPT TO ADJUST THEM.** If you feel your trigger is not functioning properly it should be returned.

---

## ACCURACY

If you experience accuracy loss with your rifle, it may be due to one of the following...

1. Barrel leading. Clean the barrel thoroughly to remove lead deposits. Use only brass or plastic brushes.
2. Bullet loading technique. Make sure to seat the bullet on the powder charge. Do not bounce or bang your ramrod on the bullet.
3. Powder contamination. Replace the powder. Store your powder in a sealed container in a cool dry place.
4. Barrel corrosion. Poor maintenance can cause pitting on the inner surface of the barrel.
5. Muzzle damage. Check the crown of the muzzle. There should be no dents or dings on the crown.
6. Bullet fit. An undersize bullet will not grip the rifling and /or seal in the barrel.

## ACTION REMOVAL & INSTALLATION

---

1. Remove trigger guard screw.



2. Remove stock set screw.



3. Remove buttstock from frame.



## ACTION REMOVAL & INSTALLATION

---

4. Remove break trigger pivot pin.  
Always push the pin from right to left otherwise it will bind and be difficult to remove.  
Always use brass or other non marking tools.



5. With frame laying on its right side, remove the trigger guard from the frame by carefully sliding it out. No components will fall from the right side of trigger guard housing.



## ACTION REMOVAL & INSTALLATION

---



5. The firing pin, firing pin retainer, return spring, plunger spring and firing pin housing can be removed for cleaning. Note the orientation of the firing pin retainer when reassembling.

## ACTION REMOVAL & INSTALLATION

---



The above image shows parts that may come out during disassembly.

With the action removed ensure it is free of debris and dirt etc. It is recommended to use an air gun to clean the action. Apply a light coat of PTFE gun oil. Use an air gun to blow excessive oil from the action.

Reinstall components with frame lying flat on its right side.

## LIMITED LIFETIME WARRANTY

---

If your Patriot muzzle loading firearm ever fails because of a manufacturing defect in material or workmanship, we will repair it at no charge to you. Parts and labor included. If we are unable to repair your firearm, we will replace it with another or refund the original purchase price to you, less depreciation, at our option.

The warranty does not cover cost of repairs or replacement when damage is unrelated to defects in material or workmanship, nor does it cover wear and tear or unreasonable use or abuse by you including, but not limited to, failure to provide proper care or maintenance or alteration not authorized by Woodman Arms, damage through use of improper powders, exceeding maximum charges, improper or insufficient seating of bullet on powder, or barrels damaged by obstruction. Woodman Arms reserves the right to inspect all products prior to making any adjustment covered by this warranty.